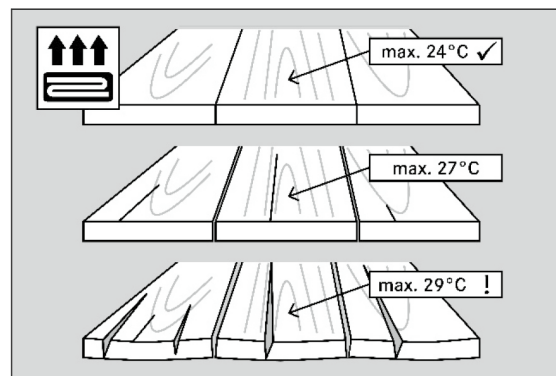
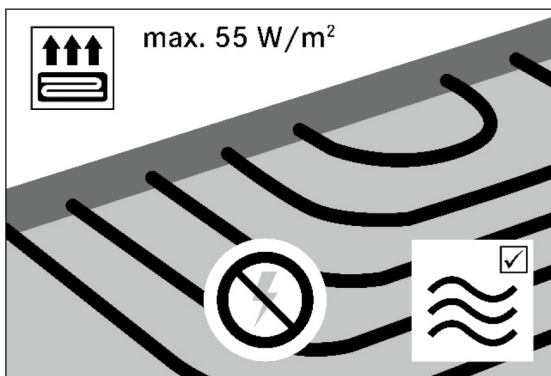
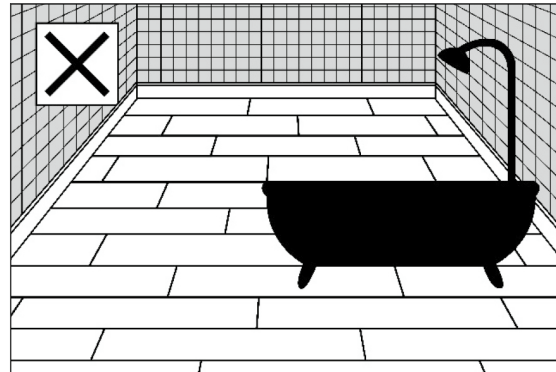
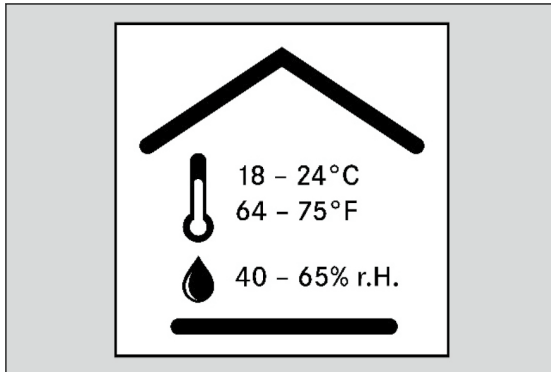
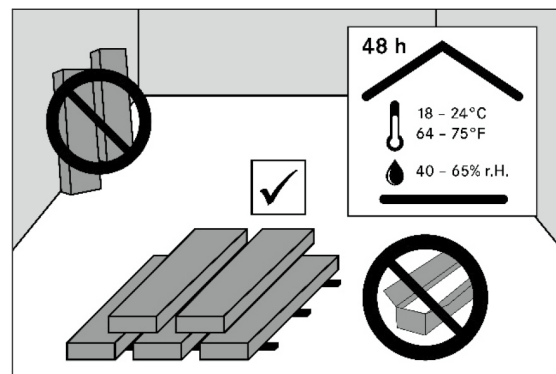
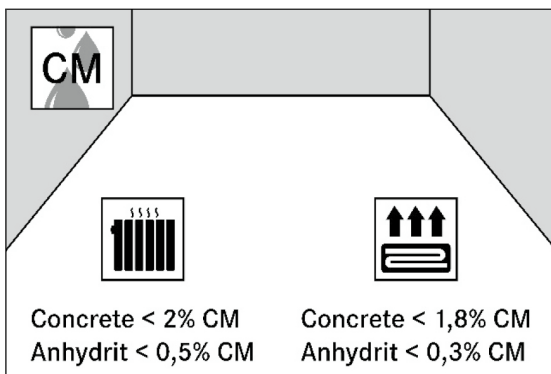
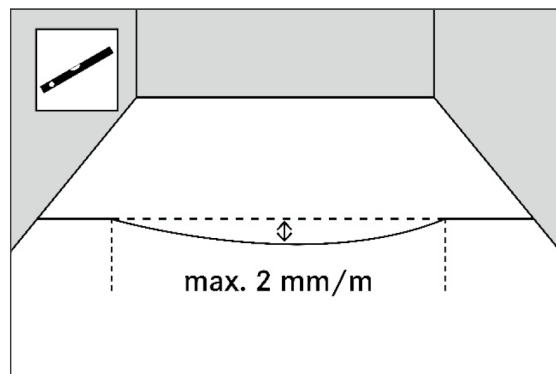
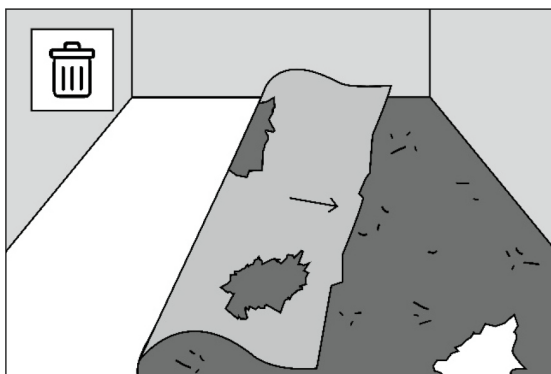


Verlege- und Pflegeanweisung* Installation and maintenance instructions**

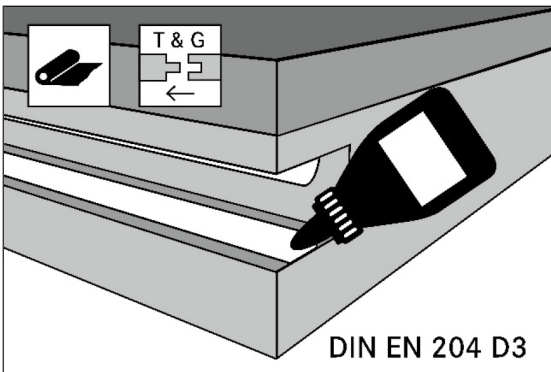
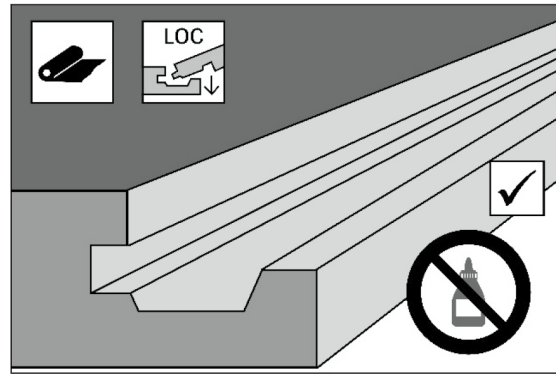
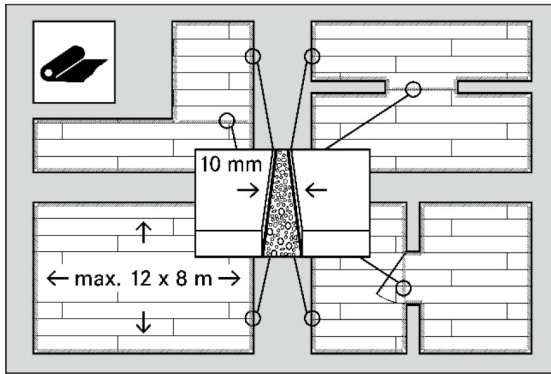
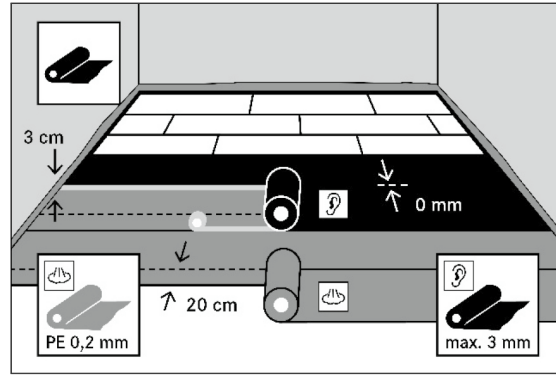
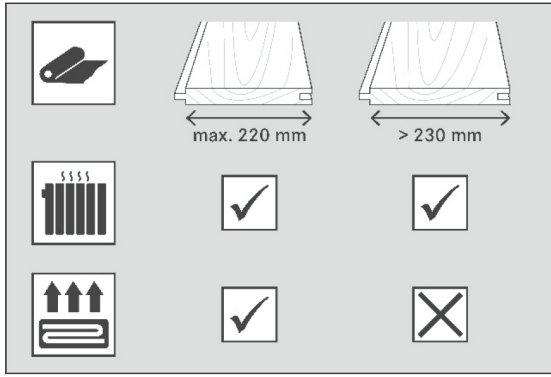
Allgemeines - General



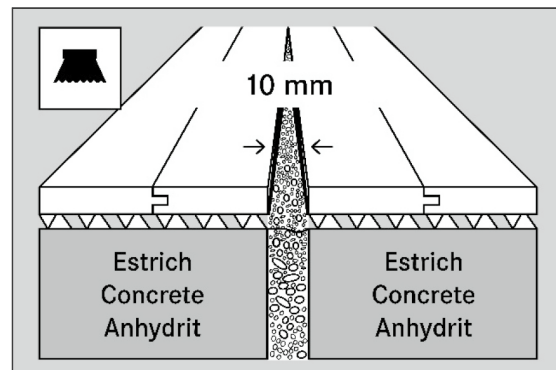
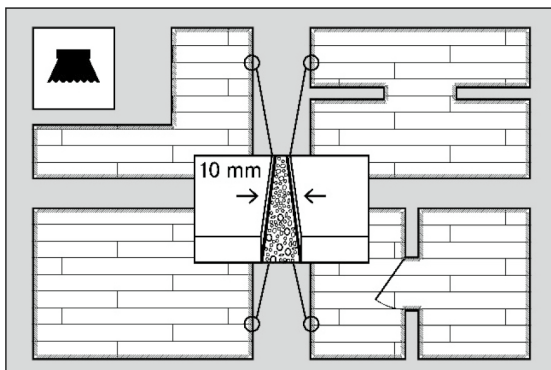
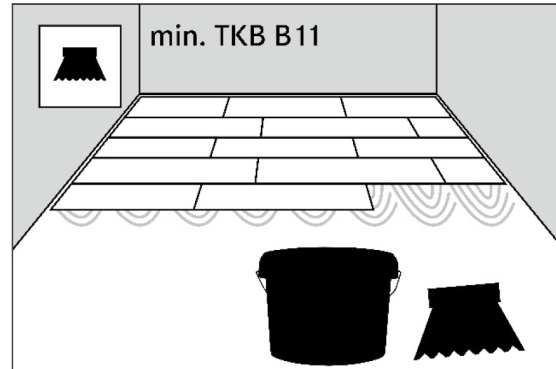
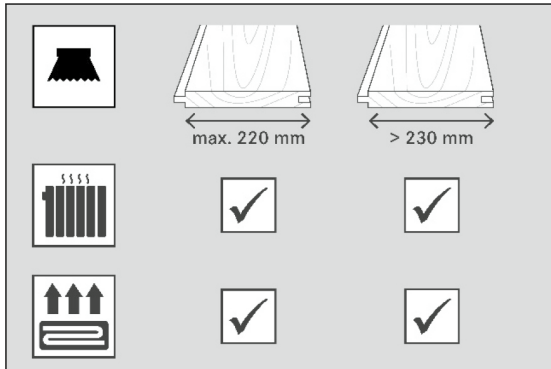
Vorbereitung und Voraussetzungen für die Verlegung - Preparation before installation



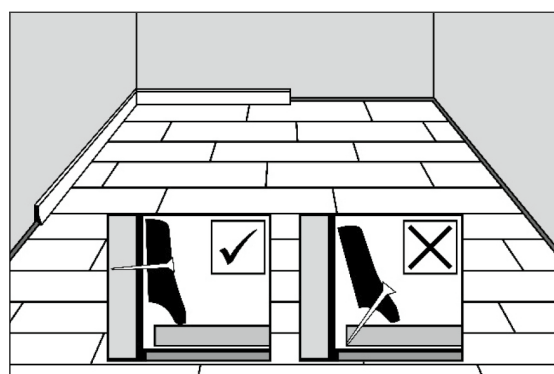
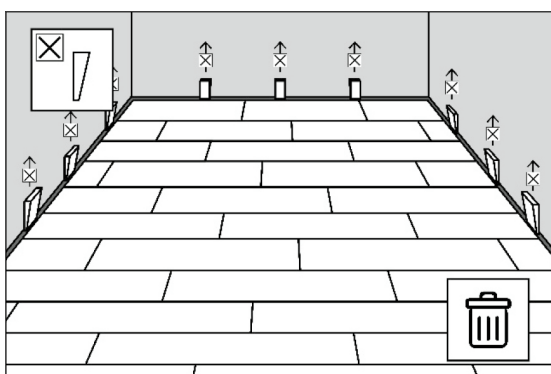
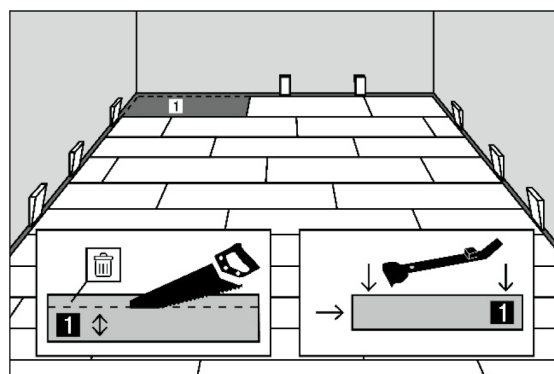
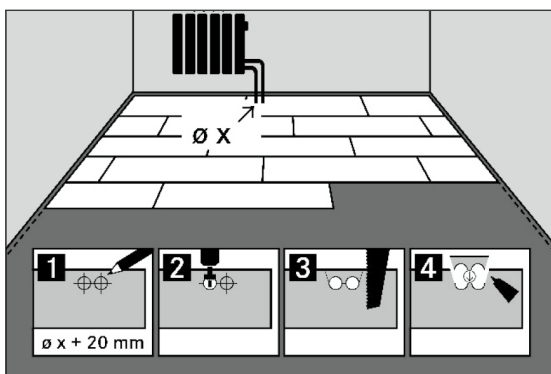
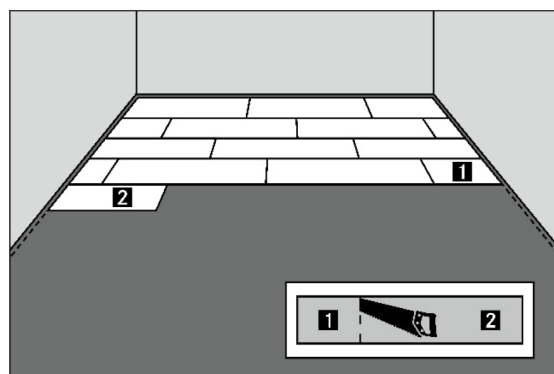
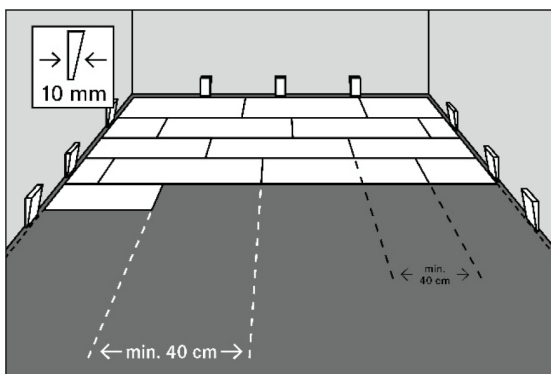
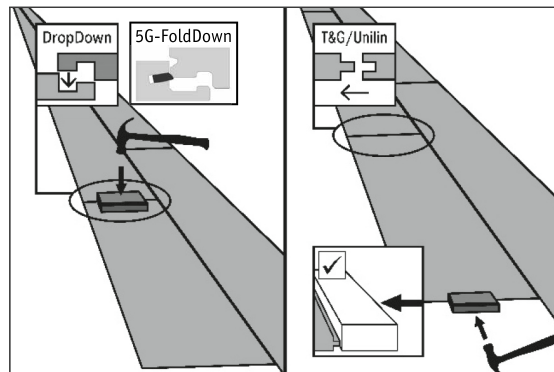
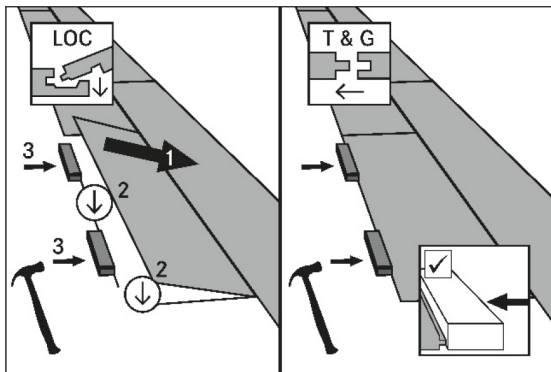
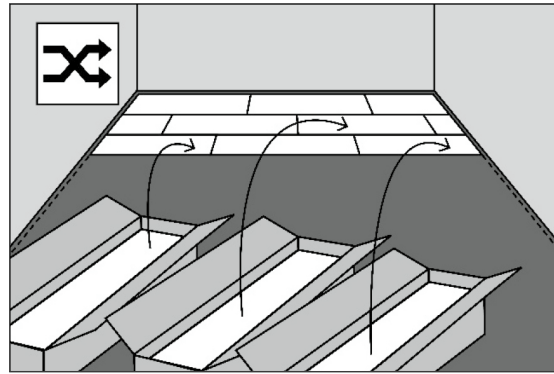
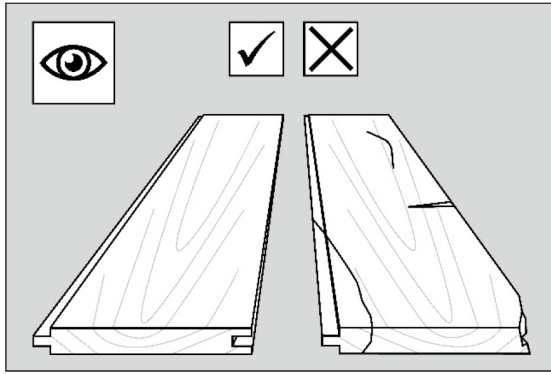
Schwimmende Verlegung – floating installation



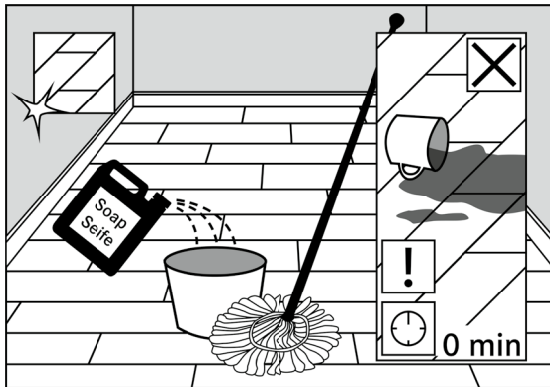
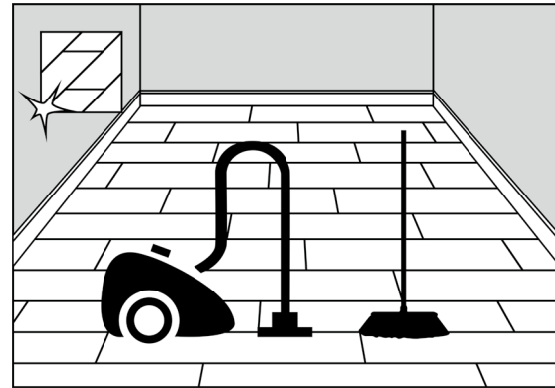
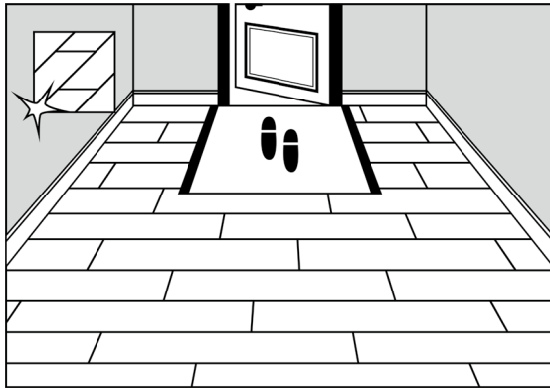
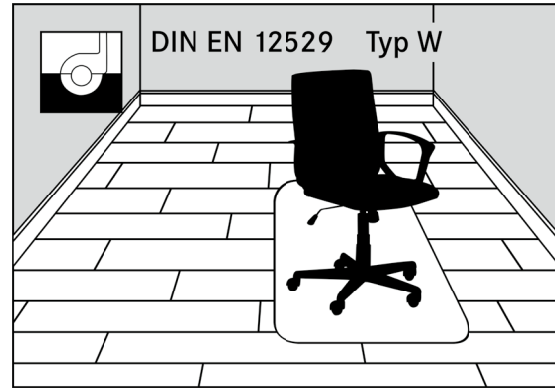
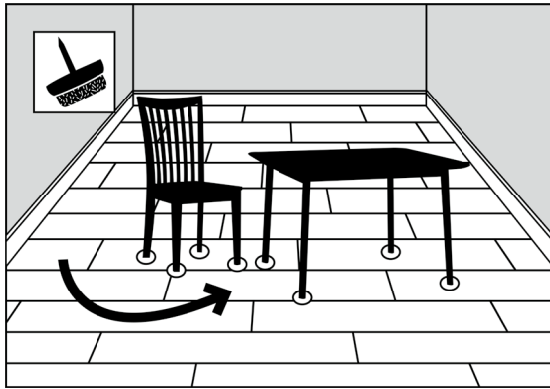
Vollflächige Verklebung – glue down installation



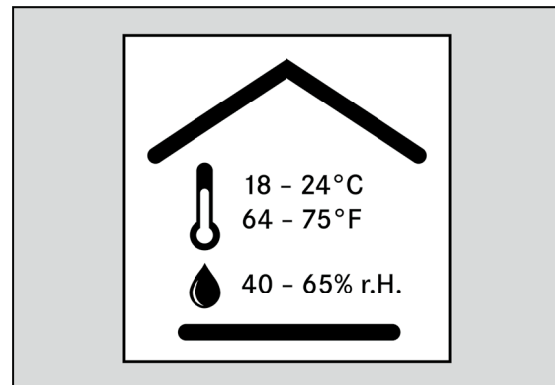
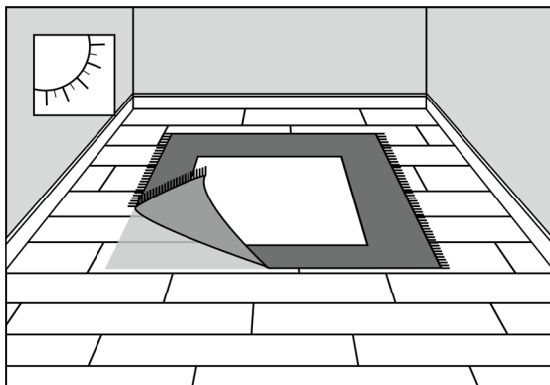
.....
Allgemeines zur Verlegung – general rules for installation



Schutz und Pflege – Protection and Care



Hinweise – Remarks



* Es handelt sich bei dieser bildlichen Darstellung um einen schnellen Überblick zur Technik der Verlegung. Die Textfassung und vollständige Verlege- und Pflegeanleitung finden Sie zum Download unter: www.barth1873.de

** This picture description is meant as a quick overview of the product installation. The written and complete installation and maintenance instruction can be downloaded from: www.barth1873.de

Installation and care instructions

Non-compliance can lead to damage and loss of warranty.

1. preparation and planning

Area of application

Pre-finished parquet is suitable as a floor covering in normally heated, dry rooms. The all-round profiling makes it easy and safe to lay. It can be laid as a floating floor or fully glued to the subfloor. Full-surface bonding largely prevents deformation caused by climatic conditions.

The parquet is suitable for hot water underfloor heating in accordance with DIN EN 1264 Part 3. For good heat transfer, the entire surface should be glued down. Planks over 22 cm wide must always be fully glued down on heated screed.

Room climate and heating

The rooms must be normally air-conditioned during installation (air temperature above 18°C, humidity 40-65 % r.h.). Excessive humidity during installation can lead to tension in the parquet, which may take some time to subside. High surface temperatures caused by fireplaces, tiled stoves, conservatories or underfloor heating and excessively dry room air, especially in low-energy houses with air heat exchangers without adequate air humidification, can lead to joint and crack formation as well as deformation. Adequate air humidification must be ensured in winter.

With underfloor heating, the maximum permissible heat output is 55 W/m² and must be evenly distributed over the surface. The surface temperature must not exceed 29°C at any point. Coverings (e.g. thick carpets or mattresses) lead to an unacceptable build-up of heat.

Damage and adverse health effects can be avoided if the surface temperature of the parquet does not exceed 27°C and the air humidity is between 40% and 65% RH. At the beginning of each heating period, the temperature must be gradually increased to normal temperature over the course of a week.

Handling the closed packages

Pre-finished parquet elements are profiled all round and must not be damaged during transport and storage. During the winter months, the parquet must be allowed to adjust to room temperature (48 hours) before installation in the closed packaging. The packages should only be opened immediately before installation.

Substrate

The substrate must be free of old textile coverings, clean, permanently dry, level, firm and load-bearing. Unevenness of more than 2 mm per 1 metre must be removed or levelled, e.g. by milling or using suitable levelling compounds.

For unheated screed, the maximum permissible residual moisture CM is 2.0% for cement and 0.5% for anhydrite and must be checked and adhered to before laying.

For heated screed, the maximum permissible residual moisture CM is 1.8% for cement and 0.3% for anhydrite. The substrate must be dried before laying in accordance with the heating and test protocol for heated screed and the residual moisture must be checked and adhered to before laying.

A vapour barrier is required to protect against rising damp on substrates that are adjacent to the ground, in rooms without basements, above vaulted cellars and crawl spaces and above rooms with increased moisture such as boiler rooms, laundry rooms or similar.

Edge joints

Wood is a natural material that reacts to climatic fluctuations by changing its dimensions. A lateral joint of 12-15 mm must be maintained between the parquet and the wall as well as to all fixed components, door frames or heating pipes.

Where technically possible, the parquet is laid under the door frames.



Floating installation

A 0.2 mm thick, diffusion-inhibiting and ageing-resistant PE foil is laid over the entire surface as a vapour barrier with a 20 cm overlap and raised ~5 cm up the walls like a trough. The impact sound insulation is laid on top of the foil with a maximum thickness of 3 mm without an overlap.

In doorways, the parquet flooring must always be separated by a joint when floating installation is used. For parquet areas larger than 12 m in the direction of the planks or 8 m in the transverse direction or with complex layouts (L, Z or U shape, „hourglass“, constrictions) or if heavy or permanently installed fixtures or superstructures hinder the free movement of a floating installation, the floor must be divided with a joint at a suitable point. Alternatively, with the exception of the joints in the doorways, the floor can be fully bonded to the subfloor without separating joints.

Full-surface bonding

The parquet is glued directly to the subfloor. Additional joint bonding is not required. A vapour-retardant primer applied directly to a heated screed helps to permanently reduce the formation of joints. For full-surface bonding, elastic adhesives that are approved for living areas and suitable for multi-layer finished parquet and heated screed are suitable. The adhesive manufacturer's installation and processing instructions always apply.

Expansion joints in the screed (recognisable by the insulating strip) must be taken over in the parquet flooring, trowel cuts and cracks can be bonded and glued over.

Tools

You will need a metre rule, pencil, carpenter's square and saw, hammer ~500 g, parquet chisel, tapping block, spacer wedges ~12-15 mm (preferably made of wood). For full-surface bonding, also use a TKB B11 notched trowel or adhesive applicator (e.g. Parquet-X-Press) and tapping block for working in the adhesive bed.

2. Installation

Visual inspection

Wood is a natural product and each piece is unique in colour and appearance. For a harmonious overall appearance, it may be necessary to lay planks from several different packages in alternation.

Despite ongoing, strict quality controls, errors cannot be completely ruled out. Should you ever find a plank that does not meet the guaranteed quality, it can be exchanged free of charge at the dealer. Please check the planks and set aside any affected planks during installation. Complaints cannot be made about planks that have already been laid.

Laying

The parquet elements are always laid along a straight reference line, preferably along a straight wall. There is no rule for the laying direction. Basically, you can choose any orientation in the room that you like. It is technically possible to lay the flooring at an angle, but this requires more effort.

With tongue & groove, the first row is started with the groove facing the wall and the tongue pointing in the working direction. With UniClic and DropDown, start with the tongue facing the wall and the long bottom flank pointing in the working direction. Starting from there, complete rows are created with a precise fit. Neighbouring rows must have a head joint offset of at least 40 cm. Start and end pieces are cut to fit, edge pieces are cut to follow the course of the wall.

With tongue & groove, the joint is always tapped together with measured blows using a hammer and tapping block against the tongue to create a joint. Floating installation is always carried out with glue in the groove on the long edge and head side (image).



With UniClic, the joint is joined together at a slight angle on the long side and locked by folding down and tapping horizontally with a tapping block and hammer, first on the long side and then against the head end, to seal the joint. Additional glue can be applied, but is not mandatory.



For drop-downs, the long side is angled in as above. The ends are locked in place when folding down and tapping from above onto the head end. Additional glue can also be applied here.

The edge distance is secured all round with wooden wedges during installation. The wedges are removed after inserting the last row with the pull bar. The edge insulation strip and, if necessary, the vapour barrier film are cut off at the same height as the parquet. The remaining joints are covered with suitable skirting boards, transition rails or pipe rosettes. Remove dust and coarse dirt from the parquet surface.

3. Maintenance

Prevention is better than cure

If treated correctly, an oiled floor will become less demanding and particularly hard-wearing over time. The following points should be observed to minimise maintenance work:

- Good doormats at entrances largely keep out sand and dirt and reduce the need for cleaning and maintenance. Clean doormats and dust control mats regularly.
- Regularly sweep up loose dirt and dust with a soft broom or vacuum with a parquet nozzle.
- Water leads to swelling and subsequent joint formation. Clean up spilt liquids immediately. Ventilate flower pots and coasters with e.g. felt glides.
- Fit furniture feet with felt glides. Only use soft chair castors in accordance with EN 12529 (recognisable by the two-coloured castor). Suitable underlay mats under chairs with castors effectively prevent damage and premature wear to the surface. Clean glides and castors regularly and replace them in good time.
- Incorrect cleaners, sand, dry microfibres, acidic or alkaline substances (e.g. cement or plaster dust, wood stove ash, water from heating systems, moss remover, etc.), solvents, penny heels, metal and metal abrasion can attack the surface and lead to pressure marks, scratches or discolouration.
- Never remove stains or colour with sandpaper. FAXE offers ready-to-use products and instructions for removing many stains or stubborn colour or dirt residues.

For maintenance, use the products listed below and follow the manufacturer's instructions:

Cleaning and care

FAXE products are suitable for initial care, maintenance cleaning and renovation.

- for natural oiled or dark surfaces: FAXE Maintenance Oil Plus natural and FAXE Wood Floor Soap natural
 - for white oiled surfaces: FAXE Maintenance Oil Plus white and FAXE Wood Floor Soap white
 - for SAFETOP surfaces: FAXE SAFETOP maintenance oil and FAXE natural wood floor soap
 - for Dream Island (hard wax oil) surfaces:FAXE Active Care matt
 - for matt lacquer: FAXE Active Care matt The processing instructions on the containers apply.
- Initial care (immediately after installation) or renovation:

SAFETOP surfaces are treated ready for use. One wipe with FAXE natural wood floor soap diluted with water at a ratio of 1:40. For matt lacquer and hard wax surfaces (Dream Island), one wipe with water and Active Care matt diluted 1:20 with water is sufficient. Before initial maintenance or renovation, remove any dirt with FAXE Intensive Cleaner, regardless of whether the floor is new or has already been used.

FAXE Maintenance Oil plus or FAXE Maintenance Oil SAFETOP is best polished in by machine with a beige polishing pad and then rubbed dry with oil absorbent cloths.

Maintenance cleaning

Regular wipe cleaning of the respective floors is carried out with the above-mentioned mixing ratio and the appropriate product for the surface.



